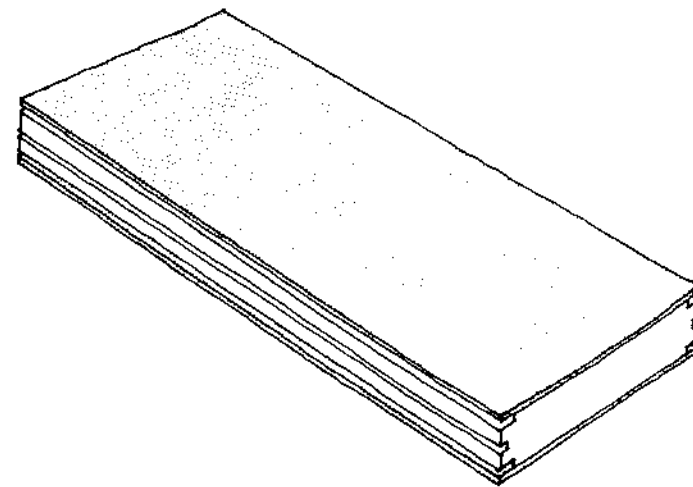


Foam Laminates
of Vermont
P.O. Box 102 Hinesburg, Vermont 05461 • 802-453-4438

The Most Energy Efficient Insulating System Available.



Foam Laminates
of Vermont
P.O. Box 102 Hinesburg, Vermont 05461 • 802-453-4438

The Foam Laminates Building System.

Throughout the country, Timber Frame construction is becoming more and more popular, and for good reason. The structural skeleton of a Post and Beam home is stronger and more aesthetically pleasing than conventionally framed structures. At one time, insulating a Post and Beam structure demanded stud wall framing and conventional fiberglass insulation, which diminished the beauty of the exposed timbers. Today however, timber frame buildings can be enclosed in a new, more cost-effective way with laminated stress-skin panel systems from Foam Laminates of Vermont.

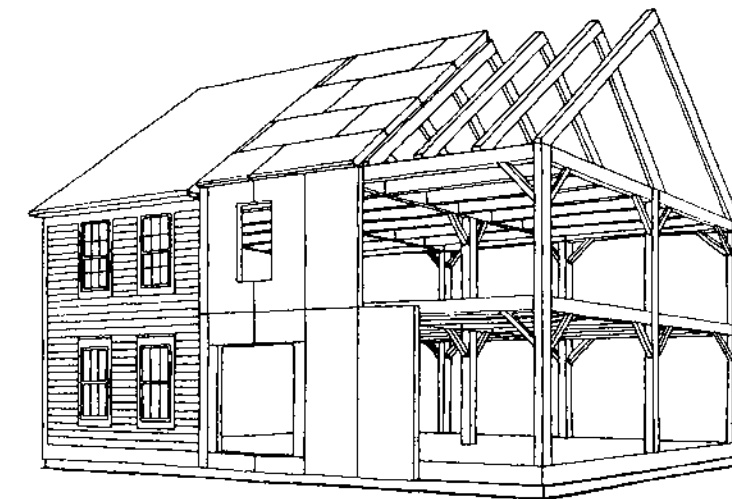
Stress-skin panels are a sandwich assembly consisting of a lightweight EPS (expanded polystyrene) core, laminated between a sheet of gypsum wallboard and a sheet of Oriented Strand Board (O.S.B.). The lamination process is performed under carefully controlled conditions, insuring a quality product. The panels create a system which provides exterior sheathing, insulation and an interior wall surface, all in one. The system is designed to be mounted over the framing members, forming an uninterrupted insulating blanket with an R-value much greater than that of conventional walls with fiberglass insulation.

An EPS core has been selected because of its strength and low rate of heat trans-

fer. In addition, polystyrene is an inert, non-formaldehyde, moisture and mildew resistant material that can withstand temperature cycling.

If you are a builder or an individual building your own home, you should consider the advantages of the most energy efficient insulating system available; stress-skin panels by Foam Laminates of Vermont.

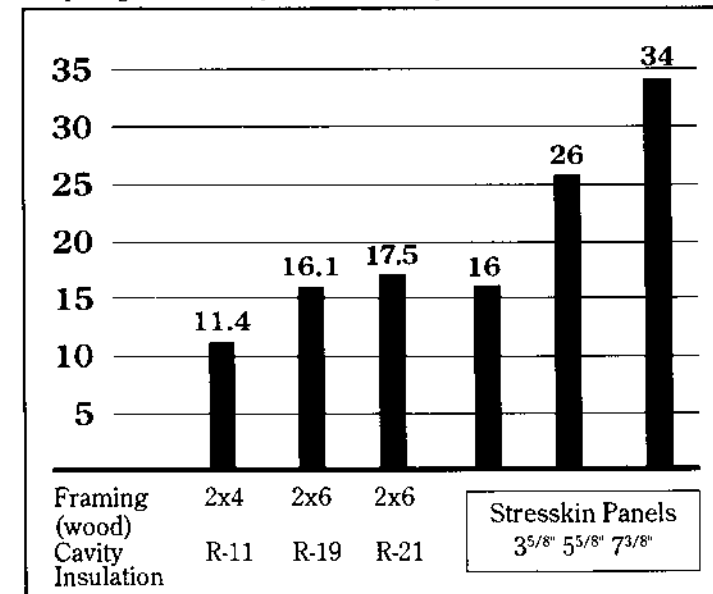
An uninterrupted insulating blanket.



Price Competitive.

We at Foam Laminates of Vermont believe that our panels are, dollar for dollar, a better buy than any other insulation system. The Thermal performance of a building system is the highest concern of consumers today. Foam Laminates of Vermont panels offer the highest R-value for the lowest possible cost. The R-value of EPS remains stable for the life of the structure, unlike panels using expanded polyurethane, isocyanurate or fiber glass. FLV panels require less construction time. The system fits together more quickly, and simply than conventional framing, for an overall savings in man-hours.

Comparing the R-Value of Common Wall Systems.

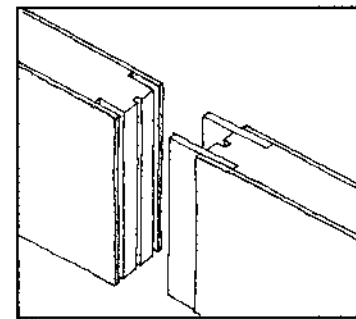


Ease of Installation.

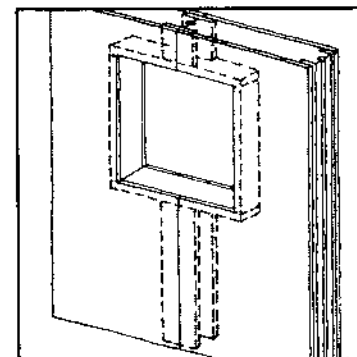
Simplicity is the key to successful construction. Stress-skin panels can be installed faster and more easily than any stud wall. The double surface spline system with a foam sealing channel makes our system very efficient and simple to install. A three person crew can expect to enclose a simple 2000 sf. home in a week or less.

Our panels can be cut with inexpensive saws and attached to timbers with annular nails. Windows and doors are installed easily because the panels are designed to accommodate standard building materials. A saw cut is all that is required for the window or door opening.

Double surface spline.



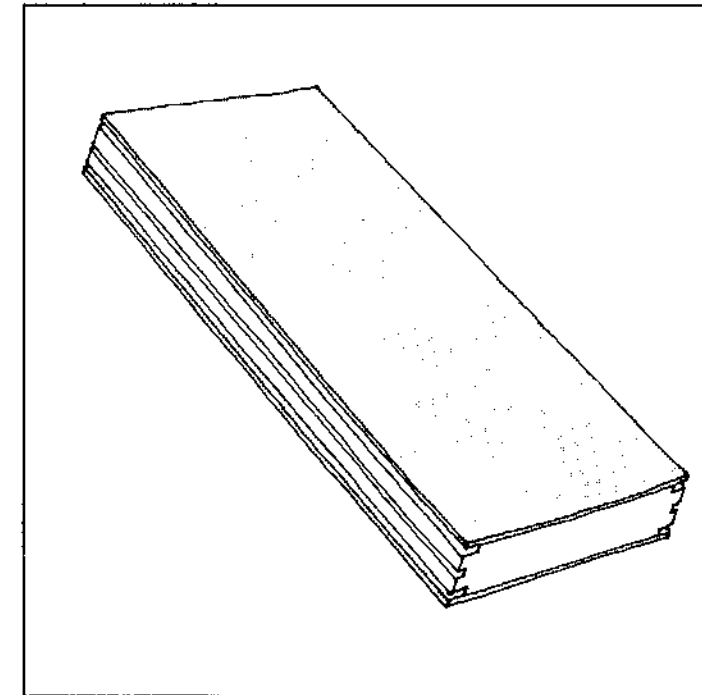
Window detail.



Manufacturing Flexibility.

Foam Laminates of Vermont can manufacture panels specifically for your building needs, offering a variety of sizes and laminates. Because of this manufacturing flexibility, the basic component can be utilized in residential, commercial and agricultural buildings as a floor, wall or roof component. This gives greater versatility in design, which translates into an overall savings to you.

A variety of sizes and laminates.



Environmental Concerns.

At foam Laminates of Vermont we use EPS (expanded polystyrene) foam cores to give you a product that will serve your needs for years to come. We also recognize the need to produce a product that is safe for the environment.

Other insulation products such as polyurethane, use chlorofluorocarbons (CFC) in the manufacturing process. These CFC's are light gases that escape from the polyurethane. This outgassing reduces the R-value of the product and contributes to the depletion of the earth's ozone layer.

EPS, on the other hand, uses captured air for its thermal properties. For you, this means a product that will maintain its R-value for the life of the home, while giving you peace of mind, knowing that you have not contributed to harmful ozone depletion.